

PARTS MANUAL



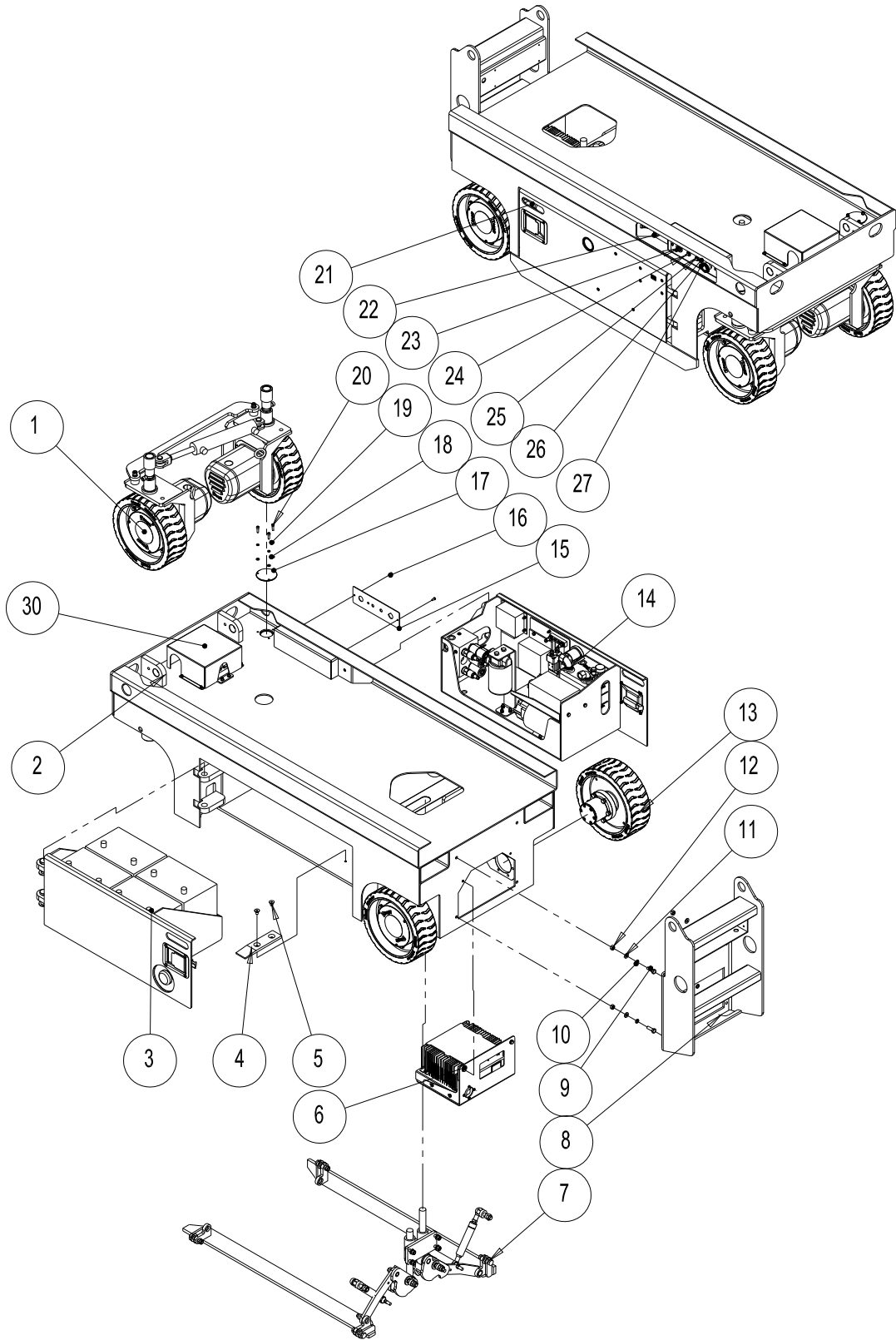
JCPT0807DC

Chassis assembly
Scissor assembly
Platform
Schematic

CONTENT

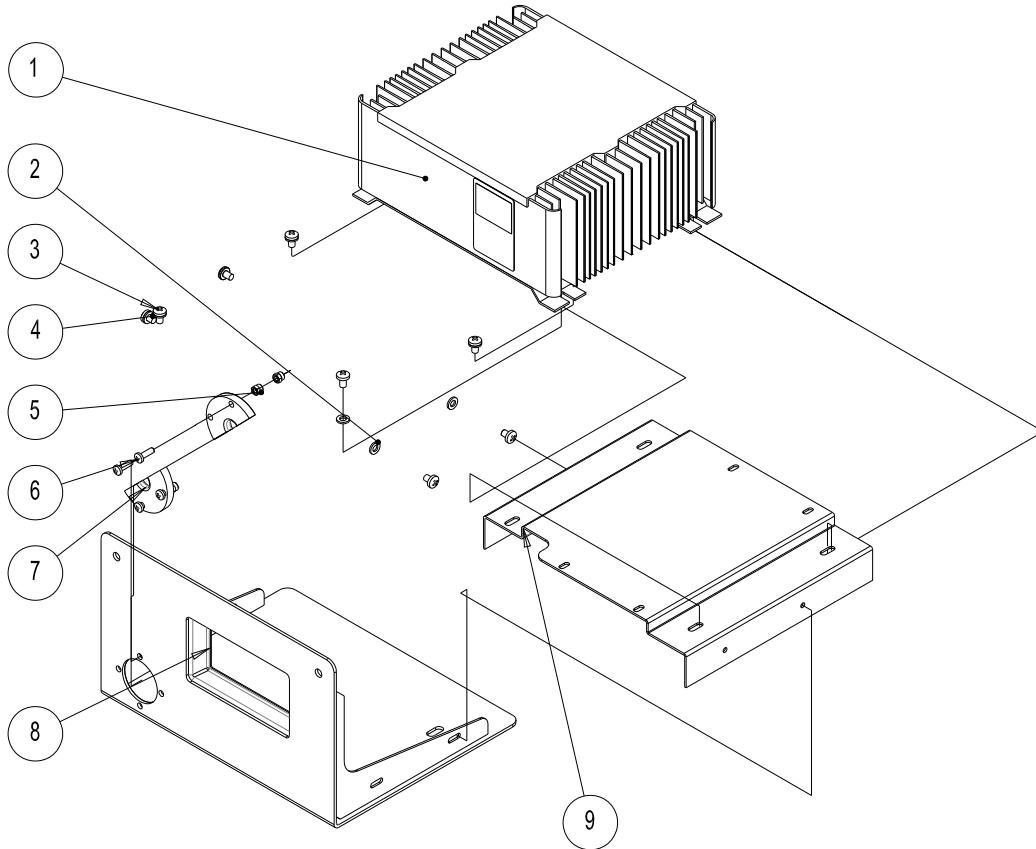
1	Chassis Assembly	2
1.1	Charger	4
1.2	Steer Linkage	5
1.3	Non-steer Wheel	7
1.4	Pothole Protection Assembly	9
1.5	Battery Pack Module	1 1
1.6	Power Unit Module	1 3
1.6.1	Hydraulic Tank	1 5
1.6.2	Control Electrical	1 6
1.7	Switch Cover	1 8
2	Scissor Assembly	2 0
3	Platform	2 2
4	Schematic	2 5

1 Chassis Assembly



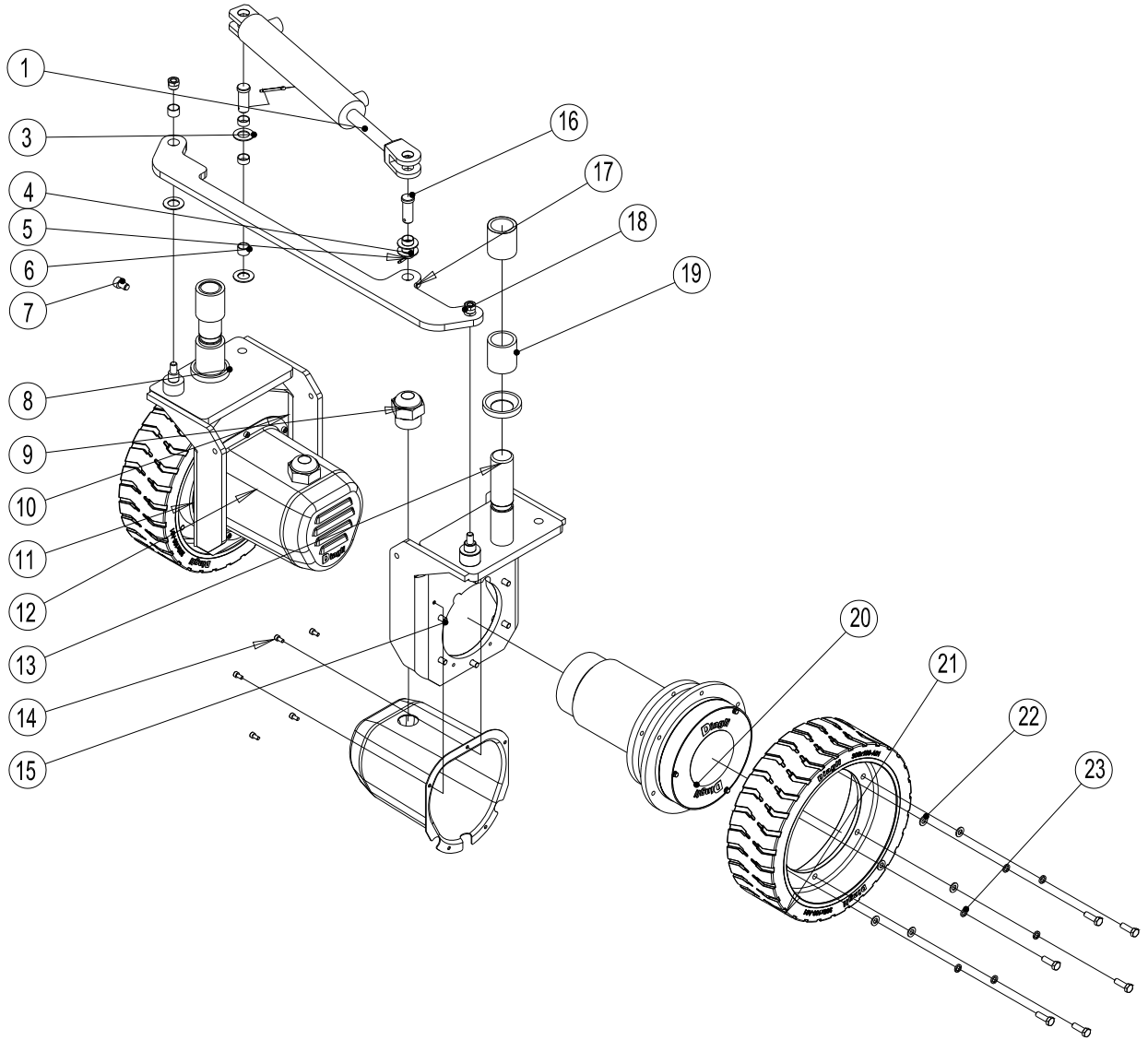
No.	Parts No.	Description	Qty.	Remark
1	JCPT0807-112000	Steer Linkage and Wheels,	1	
2	JCPT0807-111000	Chassis	1	
3	JCPT0807-113000	Battery Pack Module	1	
4	JCPT0807-110002	Spacer	2	
5	GB/T 70.3-2000	Screw M10×16	4	
6	JCPT0807-116000	Charger	1	
7	JCPT0807-115000	Pothole Protection	1	
8	JCPT0807-117000	Ladder	1	
9	GB/T 5783-2000	Bolt M10×30	4	
10	GB/T 93-1987	Washer 10	4	
11	GB/T 97.1-2002	Washer 10	4	
12	GB/T 6170-2000	Nut M10	4	
13	JCPT0807-118000	Non-steer wheel	2	
14	JCPT0807-114000	Pump station	2	
15	JCPT1212HD-13401	Plate	1	
16	GB/T 818-2000	Screw M5×12-H	2	
17	JCPT0807-110001	Cover	2	
18	GB/T 97.1-2002	Washer 6	6	
19	GB/T 93-1987	Washer 6	6	
20	GB/T 70.1-2000	Screw M6×20	6	
21	JCPT1212HD-12002	Lock	2	
22		Handle	1	
23		Key switch	1	
24		Up-down switch	1	
25		reset switch	1	
26		Indicator	1	
27		Emergency stop	1	
28	GB/T 93-1987	Washer 8	4	
29	GB/T 70.1-2000	Screw M8×30	4	
30	JCPT0807-710000	Switch Cover	1	

1.1 Charger



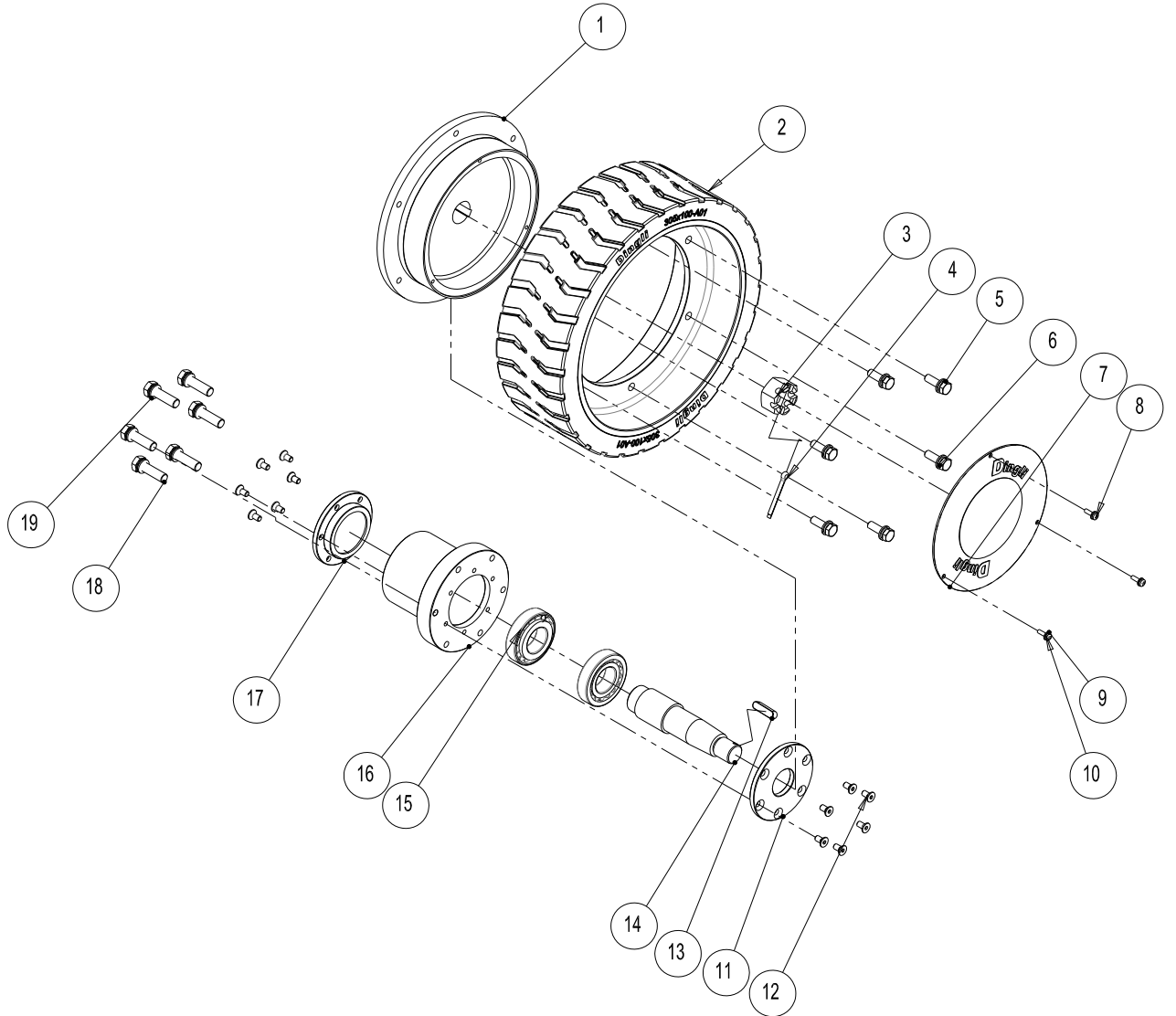
No.	Parts No.	Description	Qty.	Remark
1	inchwp-2430	Charger	2	
2	GB/T 97.1-2002	Washer 6	8	
3	GB/T 818-2000	Screw M6×8-H	4	
4	GB/T 818-2000	Screw M6×8-H	4	
5	GB/T 6182-2000	Nut M5	4	
6	GB/T 818-2000	Screw M5×6-H	4	
7	JCPT1212HD-12003	Half-round batten	2	
8	JCPT0807-116100	Board	1	
9	JCPT0708-116001	Charger seat	1	

1.2 Steer Linkage



NO.	Parts NO.	Description	QTY.	Remark
1	JCPT0807-112300	Steering cylinder	1	
3	WC18SF	Bearing	6	
4	GB/T 91-2000	Pin 4x28	2	
5	SF-8-1618	Bearing	4	
6	SF-12-1618	Bearing	4	
7	JCPT0807-112004	Screw	1	
8	JCPT0807-112003	Washer	2	
9		Water-proof joint	2	
10	JCPT0807-112200	Right yoke	1	
11	JCPT0708-112400	Drive motor	2	
12	JCPT0708-112005	Cover	2	
13	JCPT0807-112100	Left yoke	1	
14	GB/T 70.1-2000	Screw M5x10	11	
15	GB/T 5783-2000	Bolt M8x30	24	
16	JCPT0807-112002	Pin	2	
17	JCPT0807-112001	Tie rod	1	
18	GB/T 6182-2000	Nut M5	2	
19	GM354550	Bearing	4	
20	JCPT0807-112006	Cap	2	
21	JCPT0807-112010	Wheel	2	
22	GB/T 97.1-2002	Washer 4	24	
23	GB/T 93-1987	Washer 8	24	

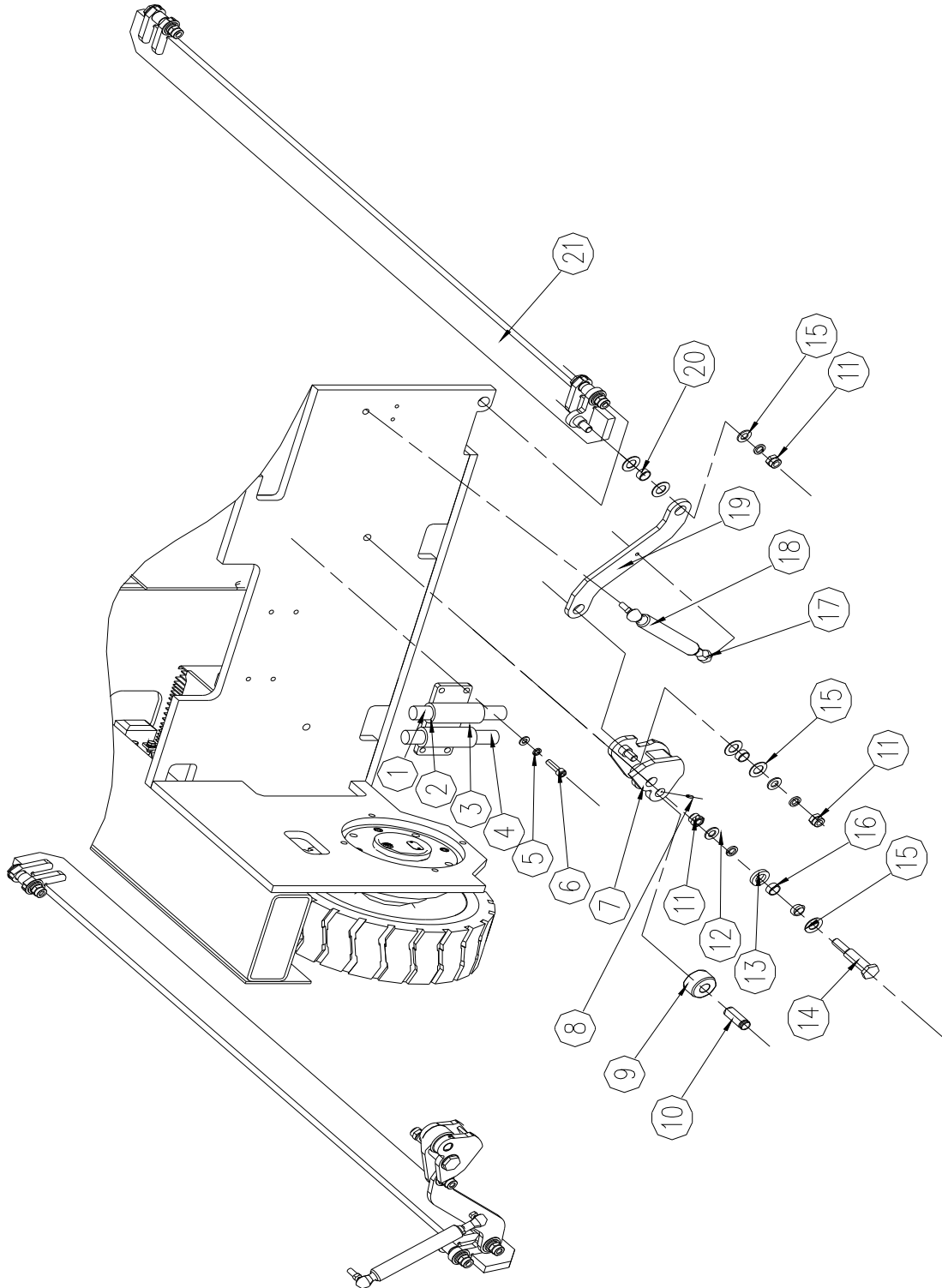
1.3 Non-steer Wheel



NO.	Parts NO.	Description	QTY.	Remark
1	JCPT0708-118001	Terminal pad	1	
2	JCPT0807-112010	Wheel	1	
3	GB/T 9459-1988	Nut M22x1.5	1	
4	GB/T 91-2000	Pin 5x40	1	
5	GB/T 93-1987	Washer 8	12	
6	GB/T 5783-2000	Bolt M8x25	6	
7	JCPT0807-112006	Cap	1	
8	GB/T 818-2000	Screw M5x16-H	3	
9	GB/T 97.1-2002	Washer 4	3	
10	GB/T 93-1987	Washer 4	3	
11	JCPT0807-118003	Bearing cover 1	1	
12	GB/T 70.3-2000	Screw M10x25	12	
13	GB/T 1096-2003	Key 8x7x32	1	
14	JCPT0807-118004	Axle	1	
15	GB/T 297-1994	Bearing 32007	2	
16	JCPT0807-118002	Seat	1	
17	JCPT0807-118005	Bearing cover 2	1	
18	GB/T 5783-2000	Bolt M10x35	6	
19	GB/T 97.1-2002	Washer 8	12	

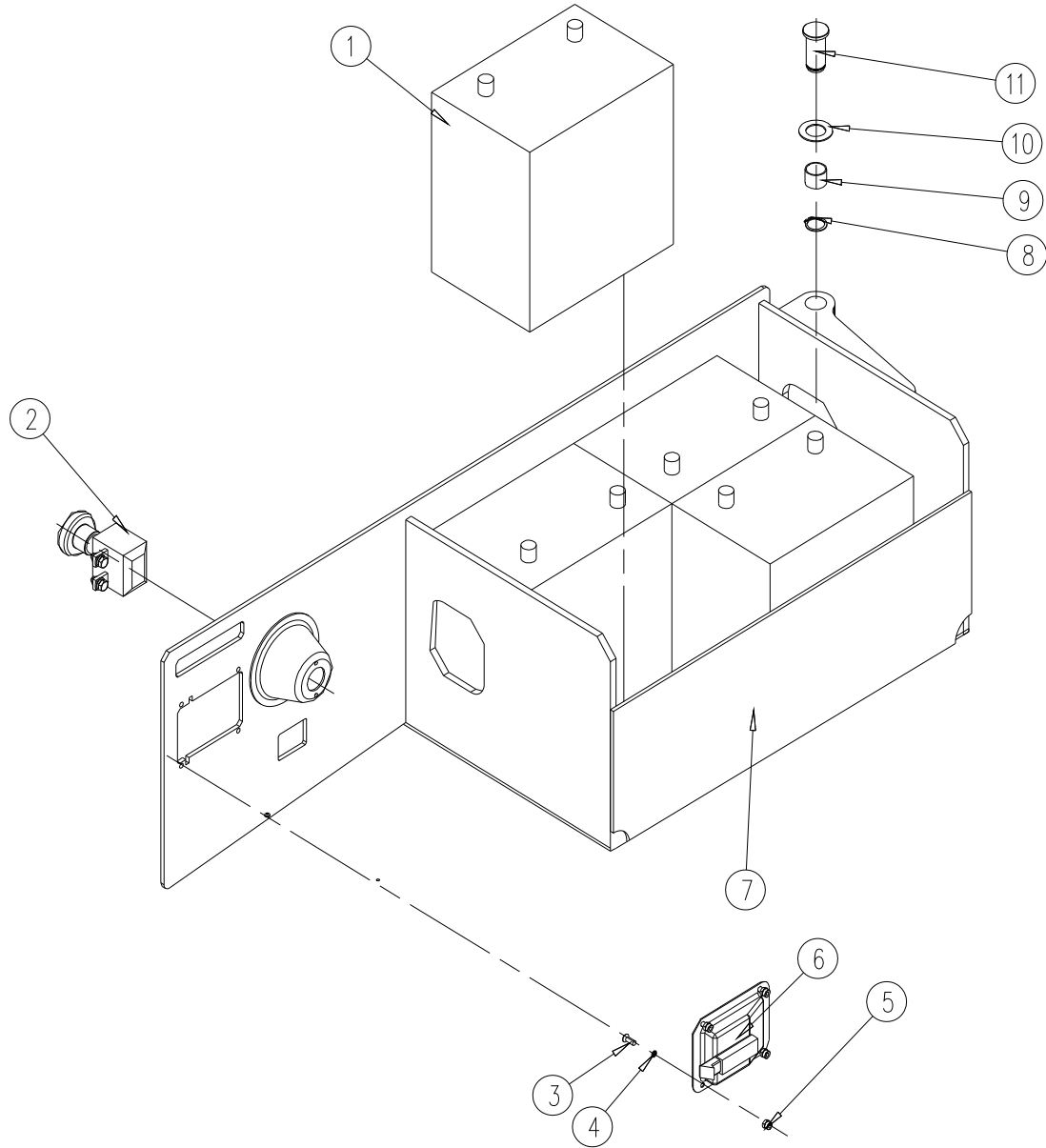
1.4 Pothole Protection Assembly

JCPT0807



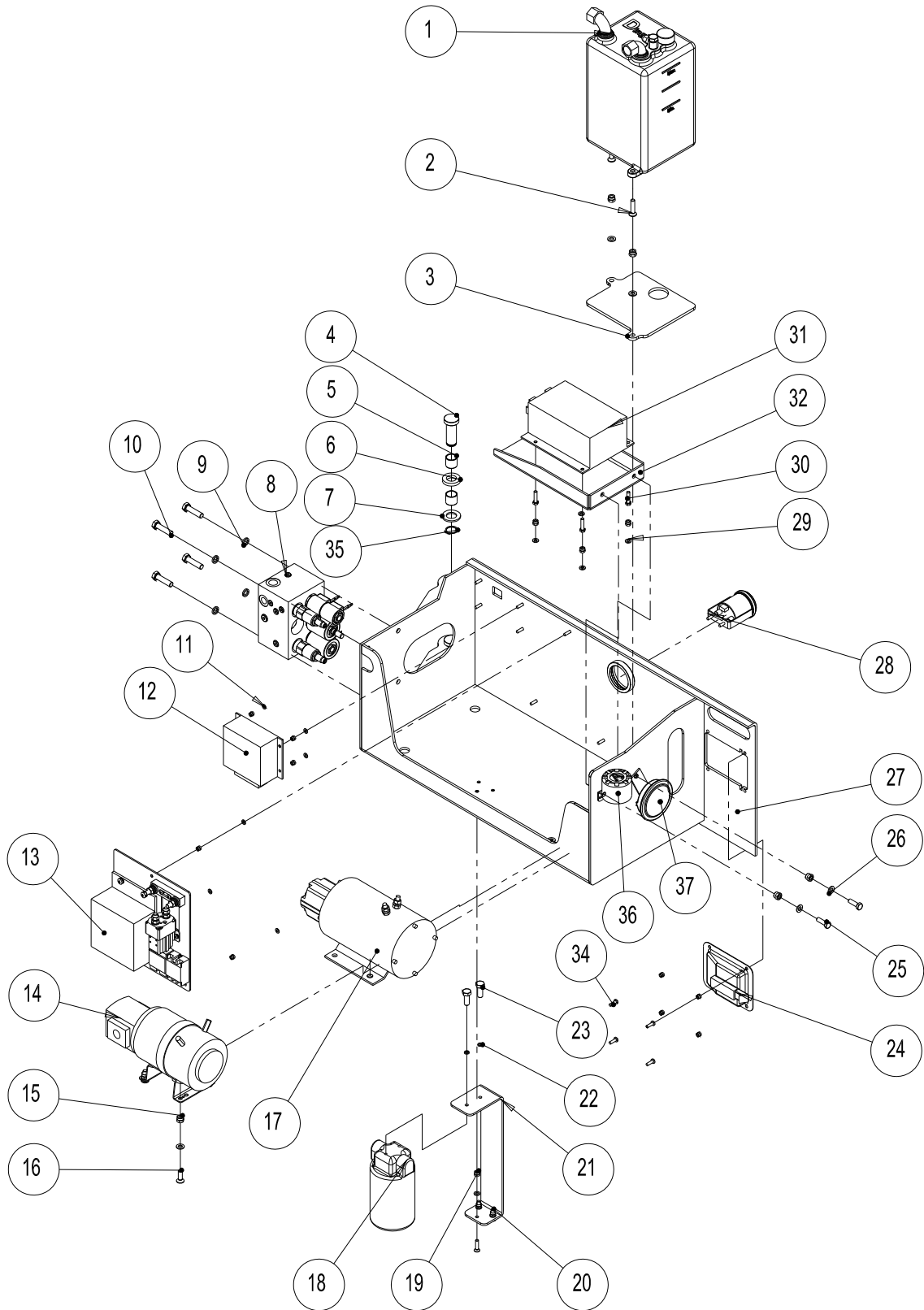
NO.	Parts NO.	Description	QTY.	Remark
1	JCPT0808HD-15010B	Pot hole guide	1	
2	JCPT1212HD-15100B	Pot hole Pusher	2	
3		Bearing 3236-20	4	
4	GB97.1-2000	Washer 10	8	
5	GB93.1-2000	Washer 10	8	
6	GB70.1-2000	Screw M10X35	8	
7	JCPT1212HD-15040	Crank	2	
8	GB/T79-2000	Screw M5x10	2	
9	JCPT1212HD-15005	Wheel	2	
10	JCPT1212HD-15006	Pin	2	
11	GB/T6182-2000	Nut M14	8	
12	GB/T95-2000	Washer 14	8	
13	JCPT1212HD-15007	Washer	2	
14	JCPT1212HD-15008	Pin	2	
15		Spacer 2036-015	18	
16		Bearing 2023-09	10	
17	ZDYC1535-6001	Gas spring	2	
18	JCPT1212HD-15001	Gas spring pin	2	
19	JCPT0807-15001	Linker	2	
20		Bearing 2023-20	4	
21	JCPT0807-15030	Pot hole guard	2	

1.5 Battery Pack Module



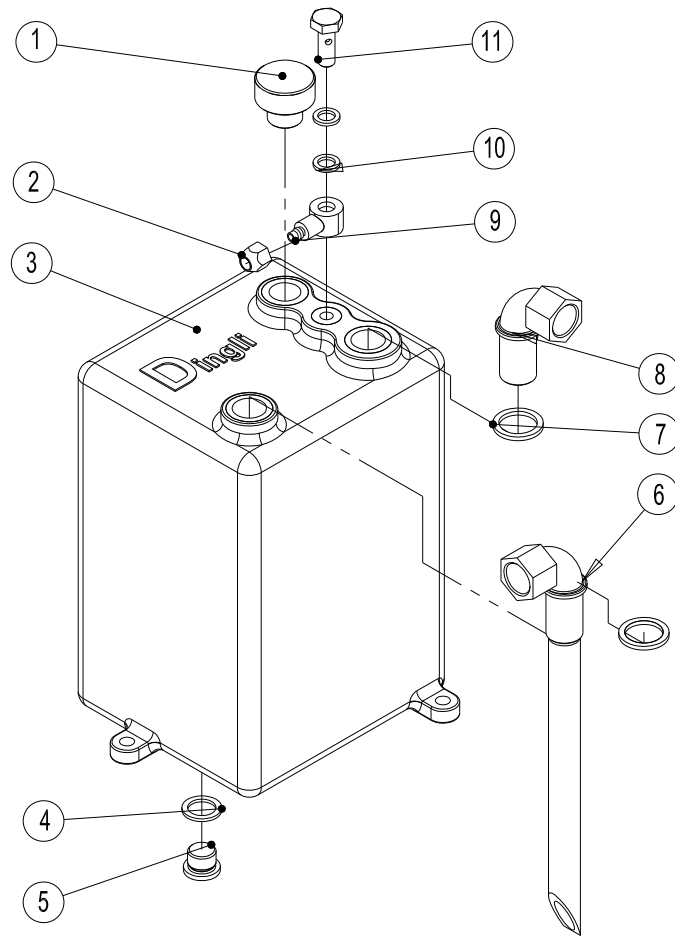
NO.	Parts NO.	Description	QTY.	Remark
1		Battery	4	
2		Power switch	1	
3	GB/T818-2000	Screw M6X20	4	
4	GB/T93.1-2000	Washer 6	4	
5	GB/T6170-2000	Nut M6	4	
6		Lock	1	
7	JCPT0807-11300	Battery box	1	
8	GB/T894.1-2000	Circlip 25	2	
9		Bearing 2528-20	4	
10		Spacer 2644-015	2	
11	JCPT0807-113001	Gate shaft	2	
		Lock Seat	1	
	GB/T70.1-2000	Screw M8x30	2	
	GB/T93.1-2000	Washer 8	2	

1.6 Power Unit Module



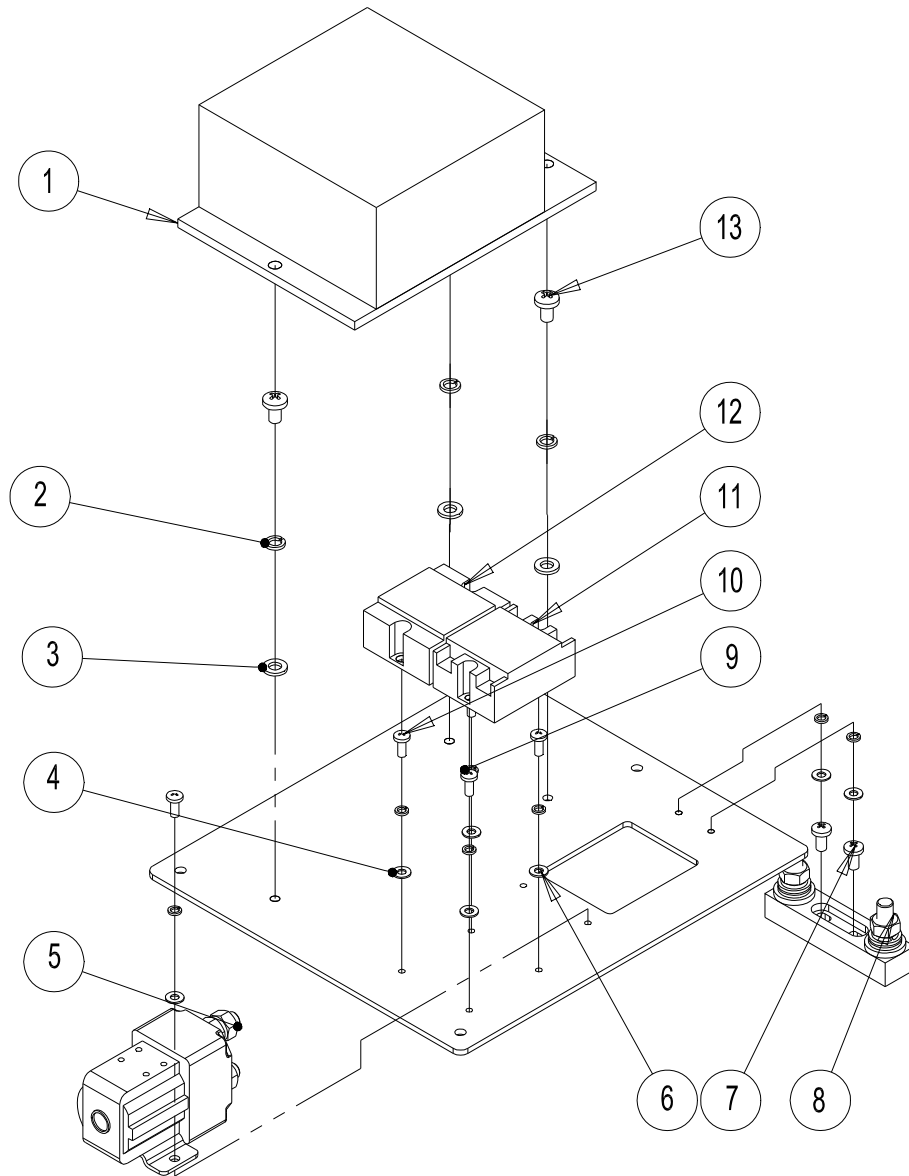
NO.	Parts NO.	Description	QTY.	Remark
1	JCPT0807-124200	Hydraulic oil tank assembly	1	
2	GB/T 70.3-2000	Screw M8x35	2	
3	JCPT0807-114012	Spacer	1	
4	JCPT0807-113001	Hinge	2	
5	sf-20-2023	Bearing	4	
6	JCPT0630-14018	Copper washer	2	
7	GB/T 97.1-2002	washer 20	2	
8	DPH-112D	Valve	1	
9	GB/T 93-1987	Washer 10	4	
10	GB/T 5783-2000	Bolt M10x40	4	
11	GB/T 97.1-2002	Washer 5	7	
12		ECU modular	1	
13	JCPT0807-114400	Plate	1	
14	JCT0807-114300	Pump	1	
15	GB/T 6182-2000	Nut M8	8	
16	GB/T 70.3-2000	Screw M8x25	4	
17	JCPT0807-114500	Pump	1	
18		Oil filter	1	
19	GB/T 6182-2000	Nut M6	7	
20	GB/T 70.3-2000	Screw M6x25	3	
21	JCPT1212HD-13003	Filter seat	1	
22	GB/T 93-1987	Washer 6	2	
23	GB/T 5783-2000	Bolt M10x25	2	
24		Lock	1	
25	GB/T 5783-2000	Bolt M8x25	2	
26	GB/T 97.1-2002	Washer 8	9	
27	JCPT0807-114100	Pump box	1	
28		Motor hour meter	1	
29	GB/T 97.1-2002	Washer 6	7	
30	GB/T 5783-2000	Bolt M6x25	4	
31	KCCA0040-E	Controller	1	
32	JCPT0807-114011	Seat	1	
33	GB/T 6182-2000	Nut M5	11	
34	GB/T 818-2000	Screw M5x16-H	4	
35	GB/T 894.2-1986	Snap Ring 22	2	
36		Alarm	1	
37		Horn	1	

1.6.1 Hydraulic Tank



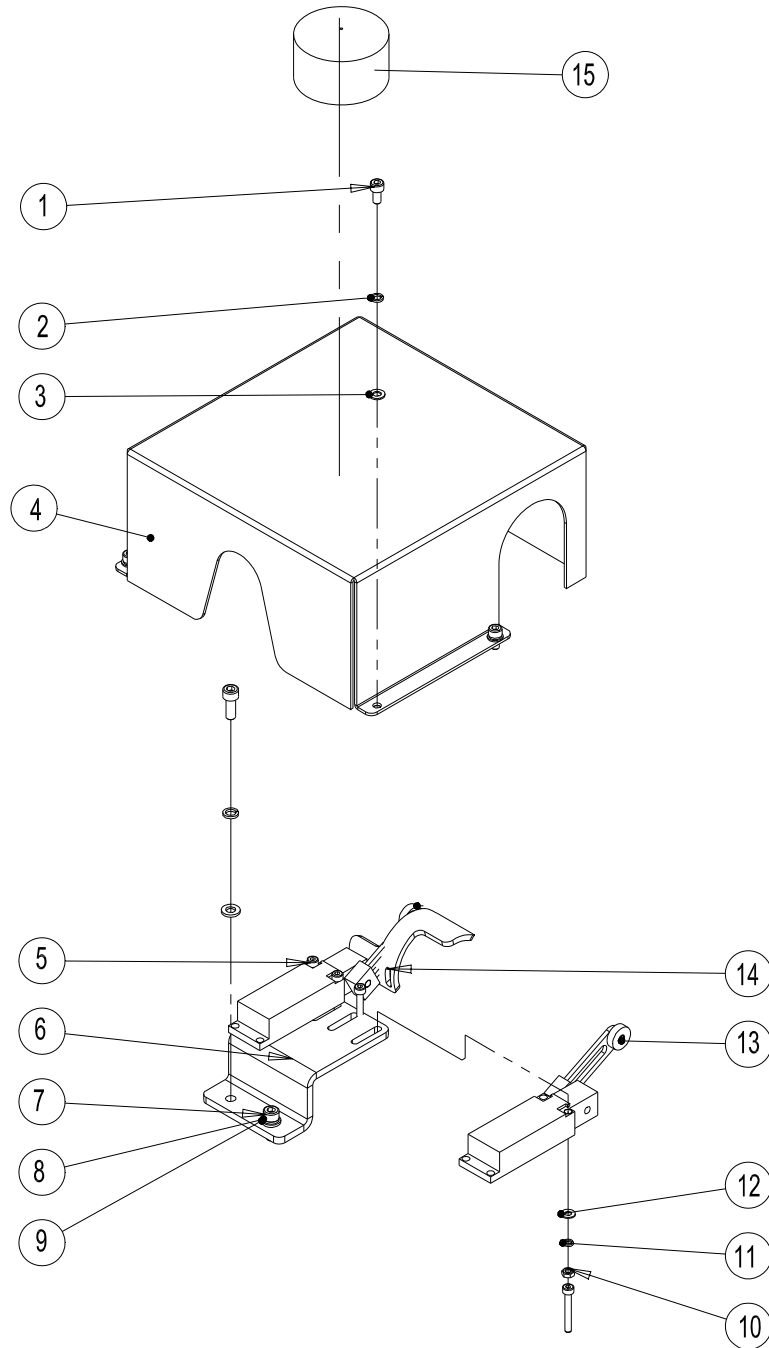
NO.	Parts NO.	Description	Qty.	Remark
1	7JAA002	Breath nut	1	
2	JCPT0807-114203	Nut	1	
3	JCPT0807-114210	Tank	1	
4	JB/T982-1977	Washer 3/8	1	
5	JB/ZQ4444-1986	Plug screw	1	
6	JCPT0807-114220	Suction pipe	1	
7	JB/T982-1977	Washer 22	2	
8	WSV15LA3C	Nut M22x1.5	1	
9	JCPT0807-124202	Nut	1	
10	JB/T982-1977	Washer 10	2	
11	JB/ 999-77	Bolt M10x1x28	1	

1.6.2 Control Electrical



NO.	Parts NO.	Description	Qty.	Remark
1		Driver modular	1	
2	GB/T 93-1987	Washer 6	3	
3	GB/T 97.1-2002	Washer 6	3	
4	GB/T 97.1-2002	Washer 4	8	
5	QCC26C 100A/10B24V	DC Contactor	1	
6	JCPT0807-114401	Seat	1	
7	GB/T 818-2000	Screw M5×10	2	
8	100A	Fuse	1	
9	GB/T 93-1987	Washer 4	8	
10	GB/T 818-2000	Screw M4×10	6	
11	G3NA-D2120B	Electric relay1	1	
12	SSR-25DD	Electric relay2	1	
13	GB/T 818-2000	Screw M6×10-H	3	

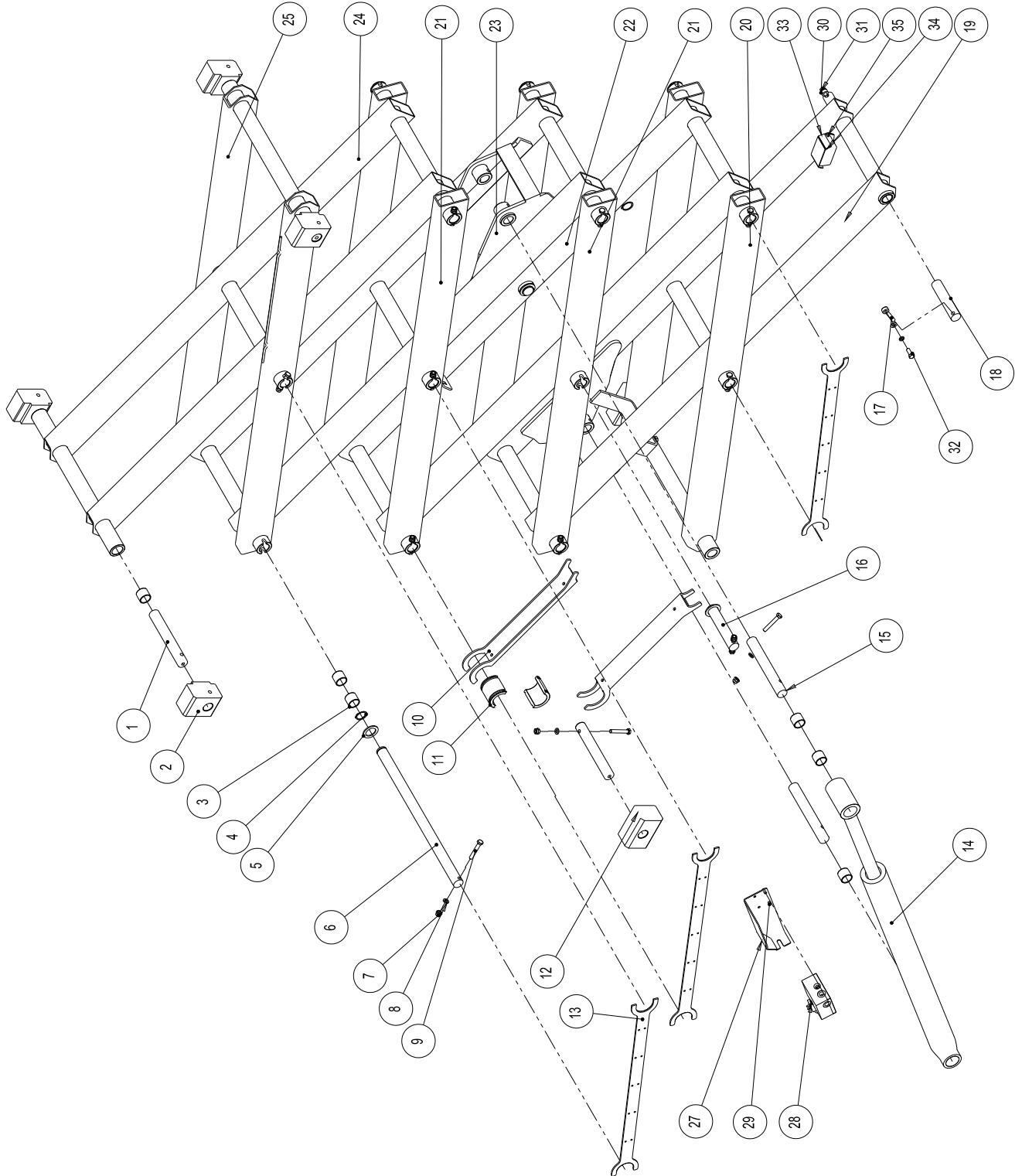
1.7 Switch Cover



Zhejiang Dingli Machinery Co., Ltd

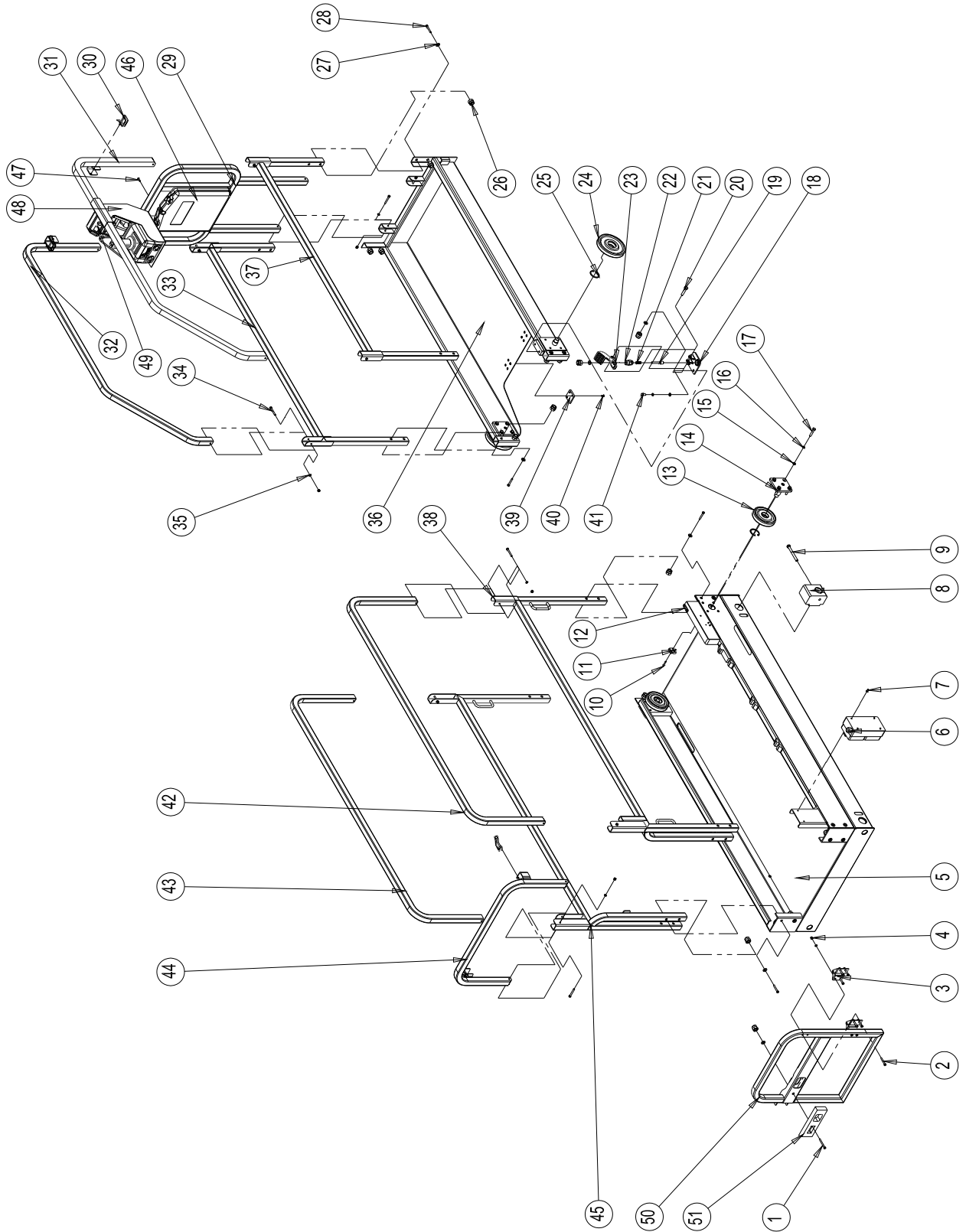
NO.	Parts NO.	Description	Qty.	Remark
1	GB/T 70.1-2000	Screw M5x10	4	
2	GB/T 93-1987	Washer 5	4	
3	GB/T 97.1-2002	Washer 5	4	
4	JCPT0807-710001	Cover	1	
5	GB/T 70.1-2000	Screw M4x30	4	
6	JCPT0807-710002	Key seat	1	
7	GB/T 70.1-2000	Screw M6x16	2	
8	GB/T 93-1987	Washer 6	2	
9	GB/T 97.1-2002	Washer 6	2	
10	GB/T 6170-2000	Nut M4	4	
11	GB/T 93-1987	Washer 4	4	
12	GB/T 97.1-2002	Washer 4	4	
13		Limited Switch	2	
14	JCPT0807-710003	Signal plate	1	

2 Scissor Assembly



NO.	Parts NO.	Description	Qty.	Remark
1	JCPT0807-131002	Axle 1	6	
2	JCPT0807-131012	Slider	4	
3		Bearing3236-30	32	
4	GB/T 894.2-1986	Bead flange 32	11	
5	JCPT0807-131006	Washer	11	
6	JCPT0807-131003	Axle	9	
7	GB/T 889.1-2000	Nut M14	14	
8	GB/T 97.3-2000	Washer 10	14	
9	GB/T 5780-2000	Bolt M12×90	14	
10	JCPT0807-131009	Safety arm	2	
11	JCPT0807-131008	Safety arm bushing	2	
12	JCPT0807-131001	Slider	2	
13		Slider		mirror
14	JCPT0807-131011	Bridge	3	
15	JCPT0807-503100	Cylinder	1	
16	JCPT0807-131004	Cylinder axle	2	
17	JCPT0807-131007	Axle 2	2	
18	890-10060	Axle 3	2	
19	JCPT0807-131005	Axle 4	2	
20	JCPT0807-131200	Inner arm 1	1	
21	JCPT0807-131100	Outer arm1	1	
22	JCPT0807-131300	Outer arm2	2	
23	JCPT0807-131400	Inner arm2	1	
24	JCPT0807-131500	Inner arm3	1	
25	JCPT0807-131700	Inner arm4	1	
26	JCPT0807-131600	Outer arm 4	1	
27	JCPT1212HD-530111	Cover	1	
28	DPH-0607B-10	Valve	1	
29	GB/T 70.1-2000	Screw M6×10	2	
30	GB/T 97.1-2002	Washer 10	2	
31	GB/T 93-1987	Washer 10	2	
32	GB/T 5783-2000	Bolt M10×25	2	
33	JCPT0807-110022L	Sensor Cover		
34		Sensor		
35		Screw M5×10		

3 Platform

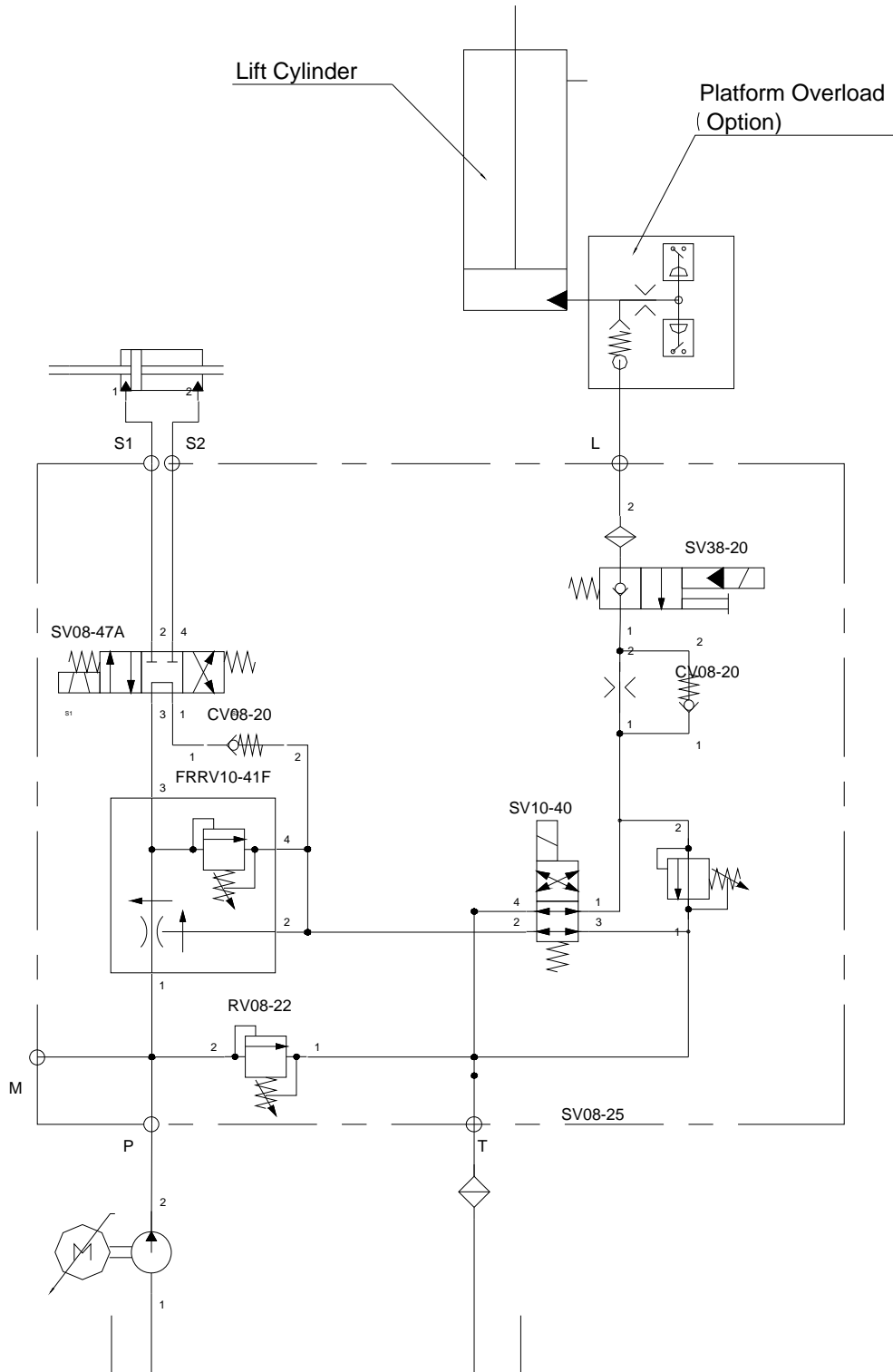


No.	Parts No	Description	Qty.	Remark
1	GB/T 5782-2000	Bolt M10×45	1	
2	GB/T 5782-2000	Bolt M6×45	8	
3	TYHY6957-8020	Hinge 31	2	
4	GB/T 6182-2000	Nut M6	20	
5	JCPT0807-41100	Singe Deck Extension	1	
6		Switch	1	
7	GB/T 818-2000	Bolt M5×12-H	4	
8	JCPT1212HD-41004	Slippage Of Block	4	
9	GB/T 5780-2000	Bolt M10×100	2	
10	GB/T 70.1-2000	Bolt M4×25	4	
11	JCPT1212HD-41002	Fastener	2	
12	JCPT1212HD-41005	Board, Harness	1	
13	JCPT1212HD-41018	Trolley	2	
14	JCPT1212HD-41030	Trolley seat	4	
15	GB/T 97.1-2002	Washer 8	22	
16	GB/T 93-1987	Washer 8	14	
17	GB/T 5780-2000	Bolt M8×45	16	
18	JCPT1212HD-41930	Bracket	1	
19	JCPT1212HD-41923	Pin	1	
20	GB / T5780-2000	Bolt M10×45	1	
21	JCPT1212HD-41921	Spring	1	
22	JCPT1212HD-41922	Columella	1	
23	JCPT1212HD-41910	Stance	1	
24	JCPT1212HD-41017	Trolley 2	2	
25	GB 893.1-86	Ring 47	4	
26	GB/T 6182-2000	Nut M10	23	
27	GB/T 97.1-2002	Washer 10	23	
28	GB/T 5782-2000	Bolt M10×50	20	
29	JCPT0807-41340	Rail, End Extension	1	
30	JCPT1212HD-41001	Lanyard 6×45	4	
31	JCPT0807-41320	Rail, Side Extension (Right)	1	
32	JCPT0807-41350	Rail, Side Extension (Left)	1	
33	JCPT0807-41330	Rail, Side Extension (Low)	1	
34	GB/T 5782-2000	Bolt M6×50	12	
35	GB/T 97.1-2002	Washer 6	20	

No.	Parts No	Description	Qty.	Remark
36	JCPT0807-41200	Deck, Extension	1	
37	JCPT0807-41310	Rail, Side Extension (Low)	1	
38	JCPT0807-41420	Rail, Side Options(Right)	1	
39	JCPT0807-41206	Slippage Of Crutch	2	
40	GB/T 70.3-2000	Bolt M5×12	8	
41	GB/T 5783-2000	Bolt M8×16	2	
42	JCPT0807-41410	Rail, Side Options(High)	1	
43	JCPT0807-41810	Rail, Side Options(High)	1	
44	JCPT0807-41700	Rail, End Options	1	
45	JCPT0807-41820	Rail, Side Options(Left)	1	
46		Handbook, Box	1	
47	GB/T 70.2-2000	Bolt M5×20	4	
48	JCPT0630-41030	Hold of console	1	
49	AMWP106-44400A	controller	1	
50	JCPT0807-41610	Door	1	
51	JCPT5007MQ-44401B	Doorknob	1	

4 Schematic

Hydraulic Schematic



Electrical Schematic

